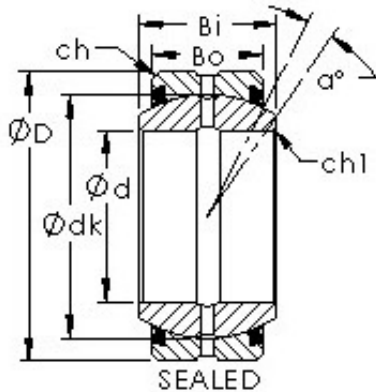




# TRANSMISSIONS EUROPE CREZANCY



## AST GEZ31ES-2RS plain bearings

Bearing No. GEZ31ES-2RS

Bore Diameter	31,75 mm
Outer Diameter	50,8 mm
Bearing Type	sealed
Bore Dia (d)	1.2500
Outer Dia (D)	2.0000
Outer Width (Bo)	0.9370
Inner Width (Bi)	1.0930
Dynamic Load Rating (Cr)	19,332
Static Load Rating (Cor)	58,447
Max. shaft corner radius, or 45 deg. chamfer (ch1)	0.024
Max. housing corner radius, or 45 deg. chamfer (ch)	0.024
Spherical Diameter (dk or Dk)	1.791
Mis-alignment Angle (a deg.)	6
Weight (g)	230.00
Material	52100 Chrome steel, or equivalent

GEZ31ES-2RS Bearing 2D drawings and 3D CAD models