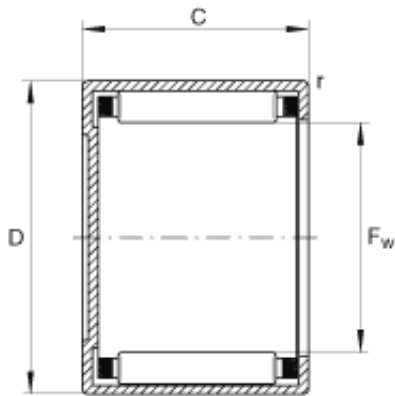




TRANSMISSIONS EUROPE CREZANCY



BCH2020 Bearing 2D drawings and 3D CAD models

INA BCH2020 needle roller bearings

Bearing No. BCH2020

Size	31.75x41.275x31.75 mm
Bore Diameter	31,75 mm
Outer Diameter	41,275 mm
Width	31,75 mm
F _w	1 1/4 inch
F _w	31,75 mm
D	1,625 inch
D	41,275 mm
C	1,25 inch
C	31,75 mm
m	0,174 lbs / Weight
m	79 g / Weight
C _r	9800 lbf / Dynamic load rating (radial)
C _r	43500 N / Dynamic load rating (radial)
C _{0r}	16400 lbf / Static load rating (radial)
C _{0r}	73000 N / Static load rating (radial)
n _G	7900 1/min / Limiting speed
Category	Needle Non Thrust Roller Bearings
Inventory	0.0
Manufacturer Name	SCHAEFFLER GROUP
Minimum Buy Quantity	N/A
Weight / Kilogram	0.08



TRANSMISSIONS EUROPE CREZANCY

Product Group	B04144
Rolling Element	Needle Roller Bearing
Component	Roller Assembly with Outer Ring - No Inner Ring
Enclosure	Open
Self Aligning	No
Retainer	Yes
Number of Rows of Rollers	Single Row
Separable	No
Closed End	Yes
Inch - Metric	Inch
Relubricatable	No
Thrust Bearing	No
Long Description	1-1/4" Bore; 1-5/8" Outside Diameter; 1-1/4" Width; Needle Roller Bearing; Roller Assembly with Outer Ring - No Inner Ring; Open Enclosure; No Self Aligning; Yes Retainer; Single Row of
Other Features	1 Rib Outer Ring Drawn Cup Bearing Steel Cage Heavy Duty
Category	Needle Non Thrust Roller Bearing
UNSPSC	31171512
Harmonized Tariff Code	8482.40.00.00
Noun	Bearing
Keyword String	Needle
Manufacturer URL	http://www.ina.com
Manufacturer Item Number	BCH2020
Weight / LBS	0.174
Outside Diameter	1.625 Inch 41.275 Millimeter
Width	1.25 Inch 31.75 Millimeter
Bore	1.25 Inch 31.75 Millimeter



TRANSMISSIONS EUROPE CREZANCY